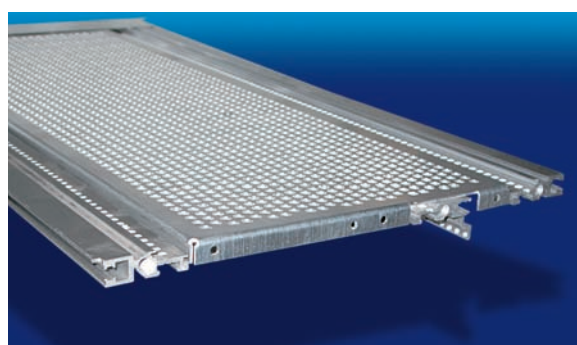
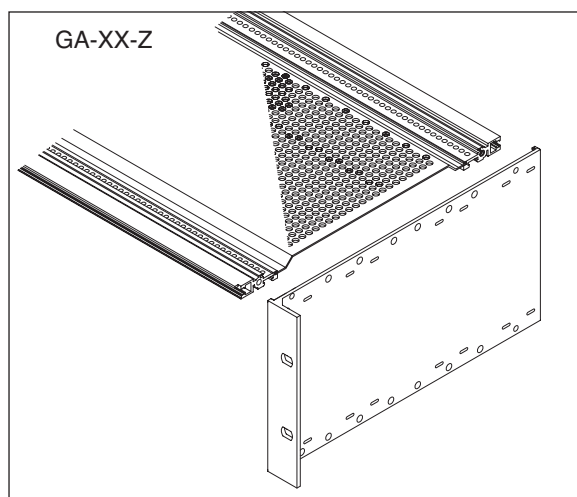
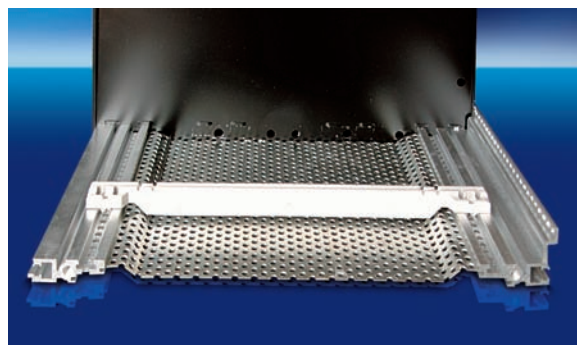
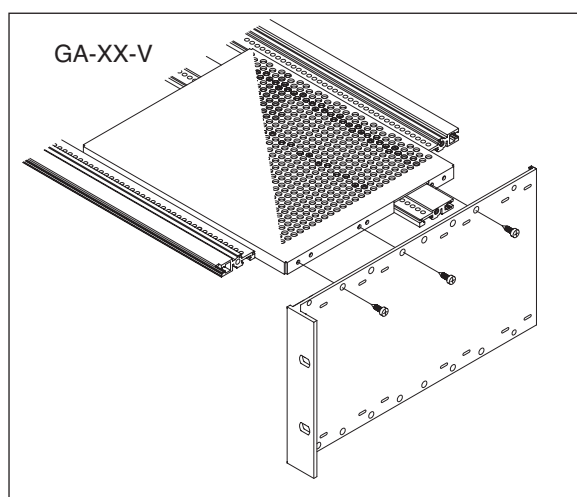


Profondità Laterale (scheda)	TE	Ø fori	INTERNA "Z"		INTERNA A VITE "V"	
			cieca	forata	cieca	forata
160 scheda	21	3	GA16210Z	GA16213Z	GA16210V	GA16213V
		4,5		GA16214Z		GA16214V
		8		GA16218Z		GA16218V
		G		GA1621GZ		GA1621GV
	42	3	GA16420Z	GA16423Z	GA16420V	GA16423V
		4,5		GA16424Z		GA16424V
		8		GA16428Z		GA16428V
		G		GA1642GZ		GA1642GV
	60	3	GA16600Z	GA16603Z	GA16600V	GA16603V
		4,5		GA16604Z		GA16604V
		8		GA16608Z		GA16608V
		G		GA1660GZ		GA1660GV
84	3	GA16840Z	GA16843Z	GA16840V	GA16843V	
	4,5		GA16844Z		GA16844V	
	8		GA16848Z		GA16848V	
	G		GA1684GZ		GA1684GV	
220 scheda	21	3	GA22210Z	GA22213Z	GA22210V	GA22213V
		4,5		GA22214Z		GA22214V
		8		GA22218Z		GA22218V
		G		GA2221GZ		GA2221GV
	42	3	GA22420Z	GA22423Z	GA22420V	GA22423V
		4,5		GA22424Z		GA22424V
		8		GA22428Z		GA22428V
		G		GA2242GZ		GA2242GV
	60	3	GA22600Z	GA22603Z	GA22600V	GA22603V
		4,5		GA22604Z		GA22604V
		8		GA22608Z		GA22608V
		G		GA2260GZ		GA2260GV
84	3	GA22840Z	GA22843Z	GA22840V	GA22843V	
	4,5		GA22844Z		GA22844V	
	8		GA22848Z		GA22848V	
	G		GA2284GZ		GA2284GV	



Prof. reale	TE	tipo "4"	tipo "8"	tipo "G"	cieca
260	84	GA25844V	GA258408V	GA25840GV	GA25840V
270		GA26844V	GA268408V	GA26840GV	GA26840V
280		GA27844V	GA278408V	GA27840GV	GA27840V
290		GA28844V	GA288408V	GA28840GV	GA28840V
300		GA29844V	GA298408V	GA29840GV	GA29840V
310		GA30844V	GA308408V	GA30840GV	GA30840V
340		GA33844V	GA338408V	GA33840GV	GA33840V
350		GA34844V	GA348408V	GA34840GV	GA34840V
400		GA39844V	GA398408V	GA39840GV	GA39840V
410		GA40844V	GA408408V	GA40840GV	GA40840V
450		GA44844V	GA448408V	GA44840GV	GA44840V
460		GA45844V	GA458408V	GA45840GV	GA45840V



La lettera "G" nella casella dei Ø fori, indica il preforato totale di Ø 3 mm in ferro zincato