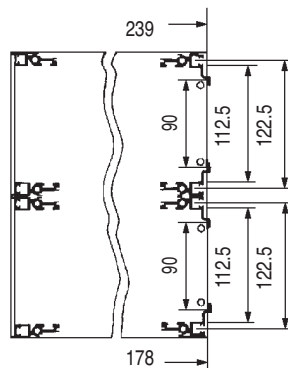
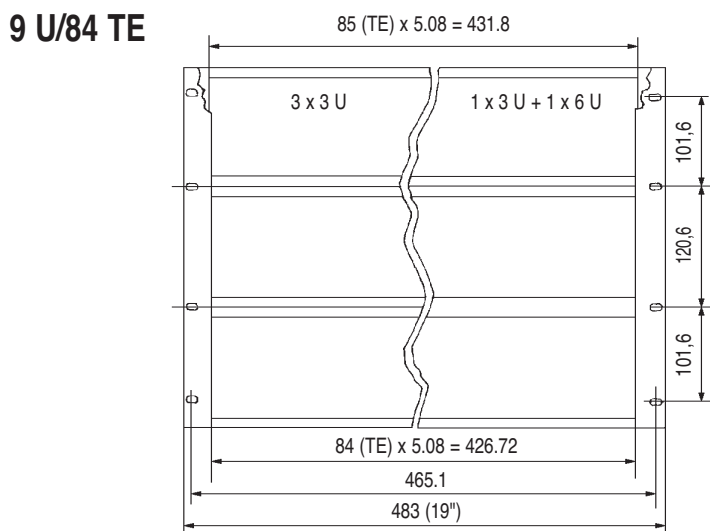
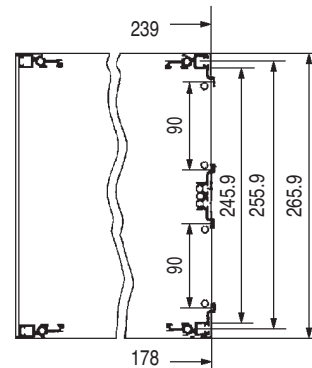


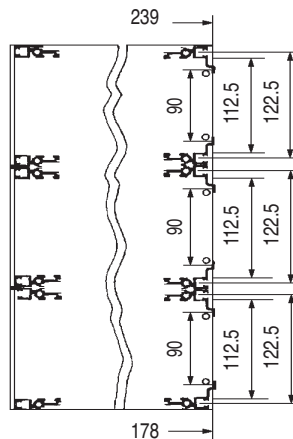
**2 x 3 U**



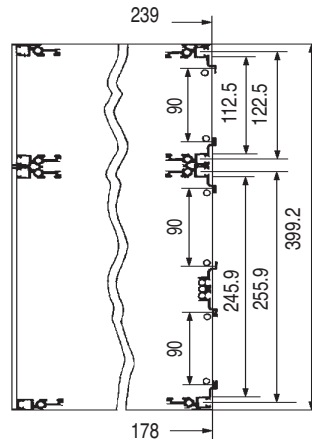
**1 x 6 U**



**3 x 3 U**



**1 x 3 U + 1 x 6 U**



1 TE = 5.08 mm  
1 U = 44.45 mm