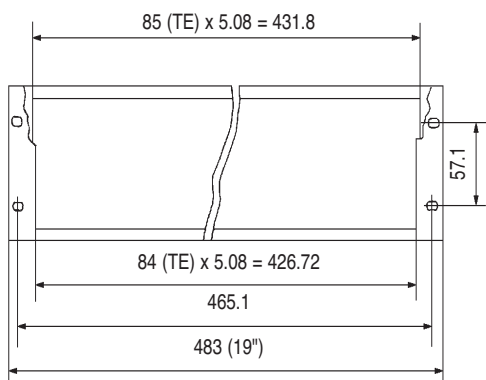


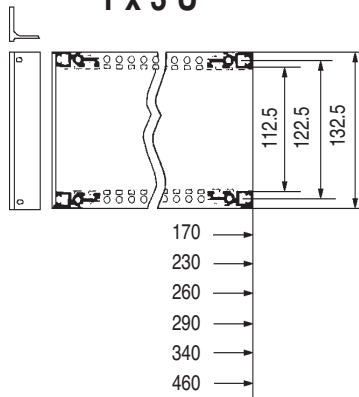
VISTA FRONTALE

VISTA LATERALE

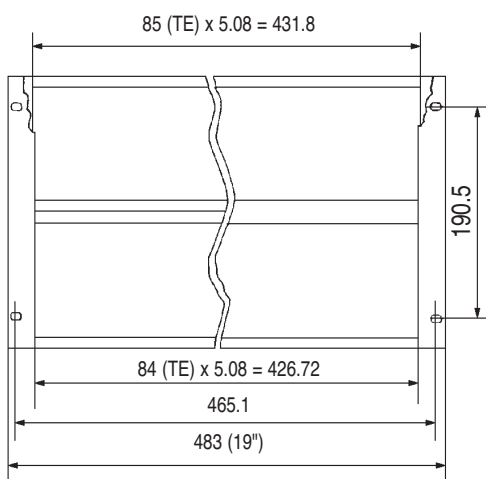
3 U/84 TE



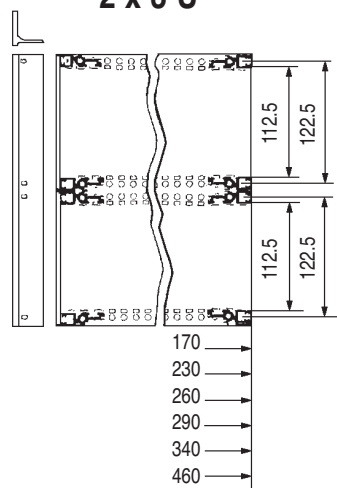
1 x 3 U



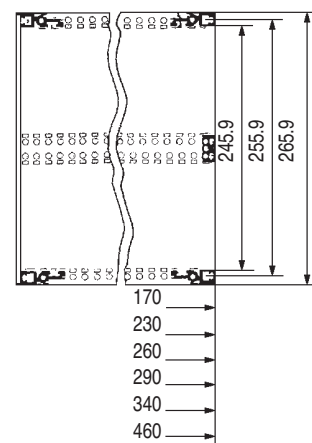
6 U/84 TE



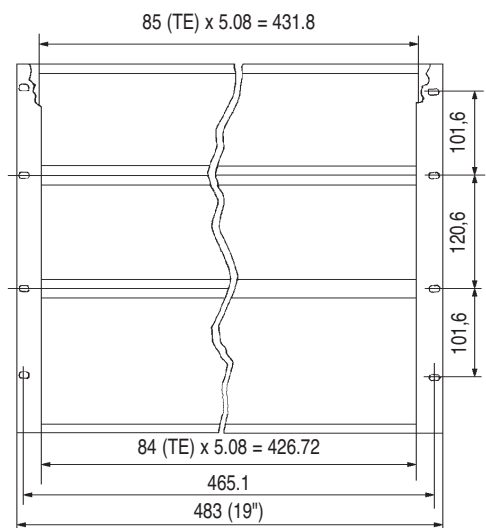
2 x 3 U



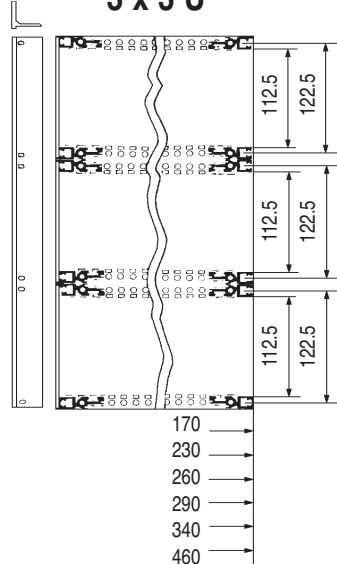
1 x 6 U



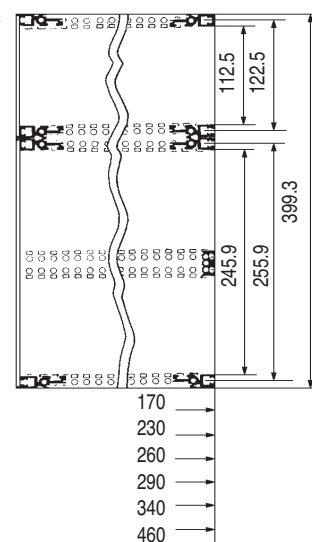
9 U/84 TE



3 x 3 U



1 x 3 U + 1 x 6 U



1 TE = 5.08 mm
1 U = 44.45 mm